

leaf eater™ COMMERCIAL

Product: Commercial Screened
Rain Heads
150mm & 225mm



clean shield™
NEXT GENERATION TECHNOLOGY

Product Description

Keeps your Rain Harvesting system free of mosquitoes, vermin and debris.

Rain Heads prevent leaves and debris from blocking downpipes and entering your rainwater tank. Rain Heads are ideal for fitting to each downpipe as they protect the building and improve your tank's water quality.

Features and Benefits

- Single screen – vermin and vector proof (0.955mm stainless steel aperture)
- 150mm Flow Rate 17 litres/sec
- 225mm Flow Rate 17 litres/sec
- Improves tank water quality
- No maintenance required - self cleaning Clean Shield™ technology
- Available in Stainless Steel, ZINCALUME® or in any of the standard COLORBOND® colours
- Custom made – made to order

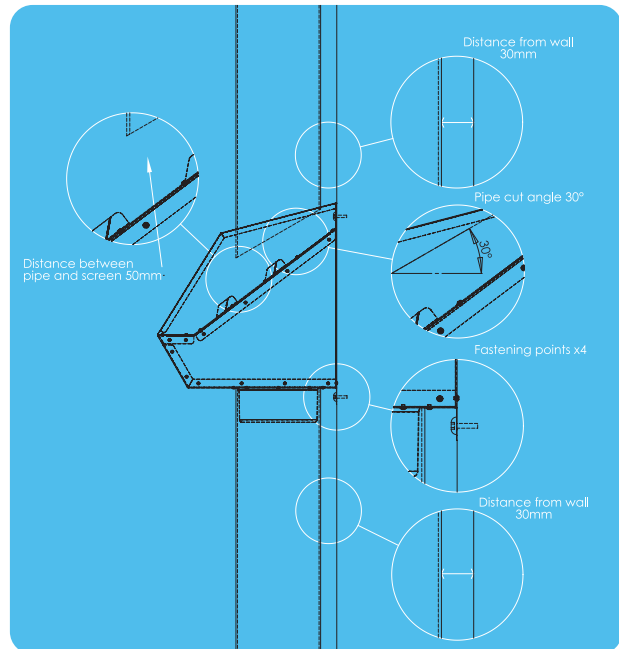
Compliance & Guidelines

- AS/NZS 3500 – Plumbing and Drainage
- enHealth Council
- QLD Health Regulation (Part 8 – Mosquito Prevention)

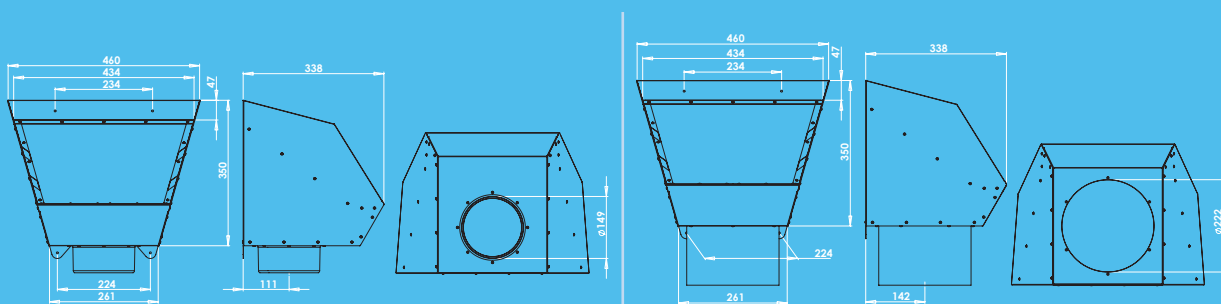
Installation

INSTALLATION INSTRUCTONS

1. Select a location for the Rain Head. A Rain Head installed at a height of 2.6 metres will prevent tampering while providing convenient access for maintenance.
2. Cut and bracket the bottom pipe to the wall. Offset the pipe 30mm from the wall.
3. Install the Rain Head into the pipe and mark the side flange fastening holes. Remove the Rain Head and prepare the necessary fastening points. Fasten the Rain Head to the wall ensuring that it is adequately supported by the wall structure.
4. Install pipe above the Rain Head with an offset of 30mm from the wall.
 - Cut the outlet of the pipe at an angle of 30 degrees to match the angle of the screen.
 - Position the angled pipe 50mm above the stainless steel screen.



150MM SCREENED RAIN HEAD			225MM SCREENED RAIN HEAD		
Dimensions	Width:	460mm	Dimensions	Width:	460mm
	Height:	350mm		Height:	350mm
	Depth:	338mm		Depth:	338mm
Body Material	ZINCALUME®/COLORBOND®/ Stainless Steel Sheet – 0.55mm		Body Material	ZINCALUME®/COLORBOND®/ Stainless Steel Sheet – 0.55mm	
Weight	2.6kg		Weight	2.7kg	
Colours	ZINCALUME®/COLORBOND® range or Stainless Steel (Grade 304)		Colours	ZINCALUME®/COLORBOND® range or Stainless Steel (Grade 304)	
Mesh Gauge	0.955mm aperture 316 Stainless Steel		Mesh Gauge	0.955mm aperture 316 Stainless Steel	



ALL DIMENSIONS IN MM UNLESS OTHERWISE STATED

Maintenance

The Clean Shield™ screen of the Rain Head is mostly self-cleaning. However it is prudent to check periodically to ensure it is clear.

PO232

DISCLAIMER This product specification is not a complete guide to product usage. Further information is available from Rain Harvesting Pty Ltd and from the Installation and Operating Instructions. This specification sheet must be read in conjunction with the Installation and Operating Instructions and all applicable statutory requirements. Product specifications may change without notice. © Rain Harvesting Pty Ltd. COLORBOND® and ZINCALUME® are registered trademarks of BlueScope Steel Limited.